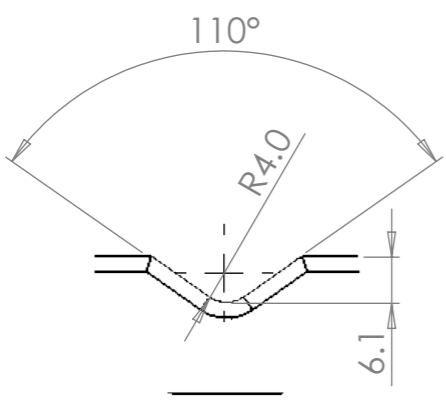
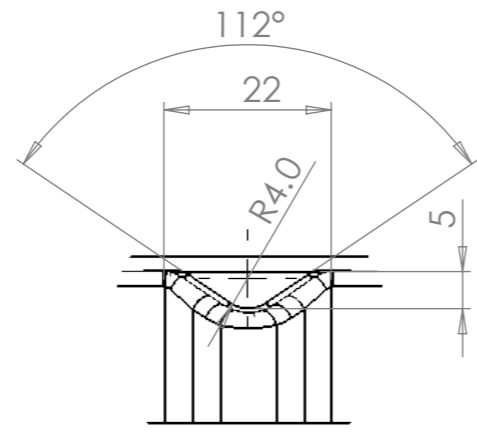


SECTION B-B
SCALE 1 : 5



DETAIL A
SCALE 1 : 1



DETAIL C
SCALE 1 : 1

BRITMET
LIGHTWEIGHT ROOFING

Britmet Tileform Ltd
Kingfisher House, Unit 17
Overthorpe Road, Banbury, OX16 4SX

| | NAME | DATE | MATERIAL: |
|-------|------|------|-----------|
| DRAWN | | | |
| CHK'D | | | |

| | |
|---------------------------------------|--------------|
| DO NOT SCALE DRAWING | REVISION |
| TITLE: Plaintile panel 0.45 | |
| DWG NO. PLA05G | |
| SCALE:DNS | SHEET 1 OF 1 |

A3